

Sink Tornado

Kitchen Sinks

Code: 1579 670



DETAILS

Edge/Installation Type Standard (8 mm Edge)

Finish Foster brushed

Material AISI 304 stainless steel

Texture Foster brushed

Base 80 cm

Dimensions 790 x 500 mm

Standard fittings Fixing hooks, gasket, drain, overflow and siphon, boxed packing

Mixer holes 1 standard hole - 2nd hole on request

Built-in hole 770x480 mm

Drainer No

Width 79 cm

Bowl dimension 730 x 440 mm

Number of bowls 1 bowl

Waste fitting 7" drain

FEATURES

2nd / 3rd hole available The sink can be customized with the execution on request of additional holes, usable for double-hole mixers, for remote controlled drains or for the installation of soap dispensers. The positions are marked on the drawings with dotted line holes.

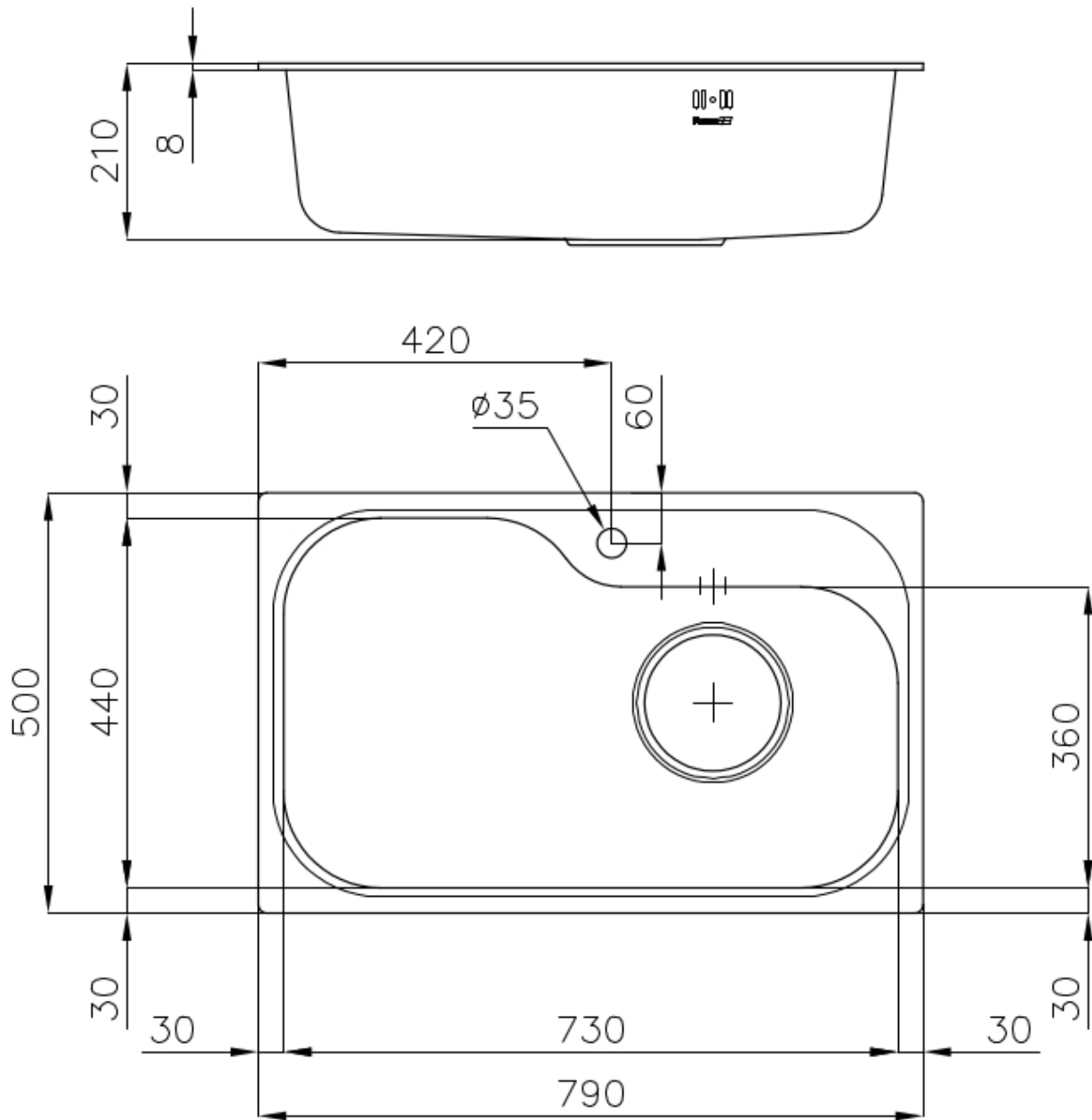
7" xxl waste fitting The 7" exhaust has dimensions that are much higher than the standard. The drain includes a large and deep basket for the collection of food waste.

Deep bowls This bowls reach an important depth, over 20 cm, thanks to the advanced production technology, that can be offer great capiciency and practicity in all the washing operations.

High thickness 1mm thick steel. A significant thickness, which guarantees the maximum sturdiness and durability.

Sliding brackets

TECHNICAL DATA



OPTIONAL ACCESSORIES



Iroko-wood chopping board
8659 111



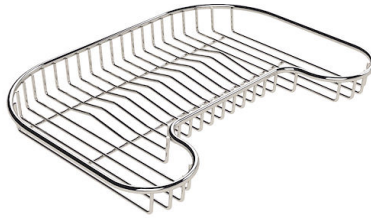
Iroko-wood chopping board
8659 112



Iroko-wood twin chopping board
8644 003



Stainless steel plate rack
8100 154



Stainless steel plate rack
8100 111



Vaschetta bianca
8152 100



White colander
8151 100

RECOMMENDED PAIRINGS



Mixer Tap Gamma
8483 001



Mixer Tap Lorenzo
8466 000